

Technical information



Wall support, silver coloured, anodized with steel clamping screws

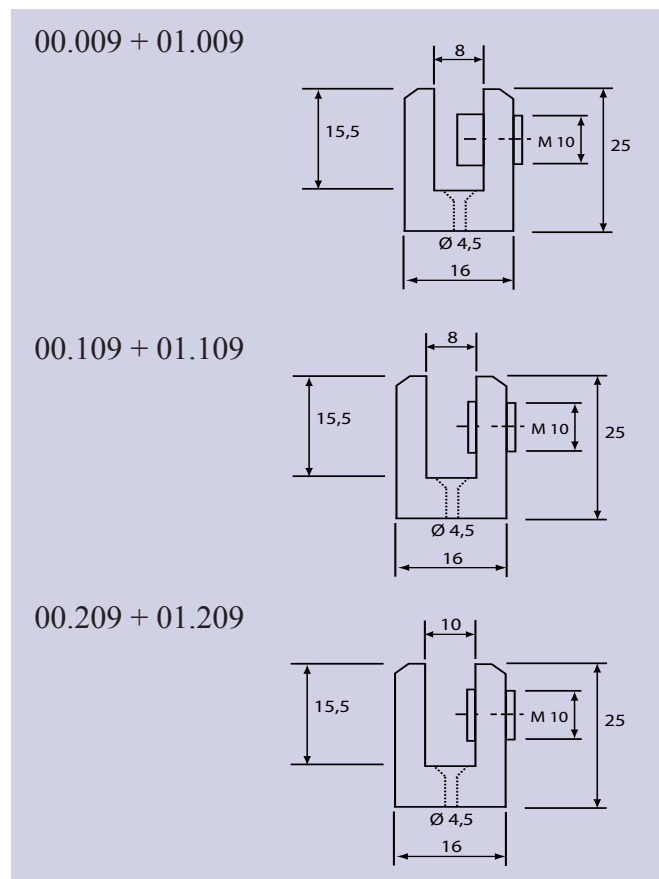
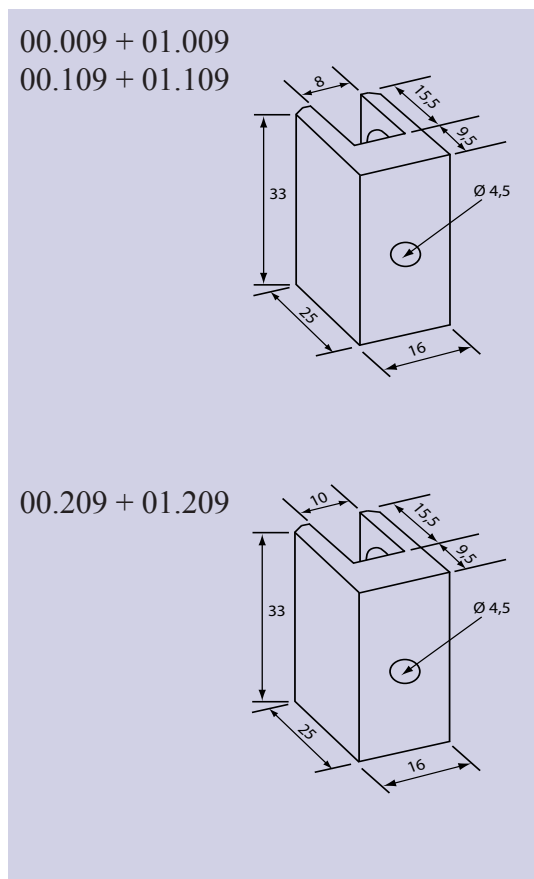
Wall support, silver coloured, anodized with plastic clamping screws

- Item No. 00.009 3-5mm
- Item No. 00.109 5-8mm
- Item No. 00.209 8-10mm

- Item No. 01.009 3-5mm
- Item No. 01.109 5-8mm
- Item No. 01.209 8-10mm

**Weight: 0,025 kg
Traction: 20 kg**

**Weight: 0,025 kg
Traction: 20 kg**



Technical information



**Wall support, silver coloured,
anodized with steel clamping screws**

Item No. 00.009 3-5mm
Item No. 00.109 5-8mm
Item No. 00.209 8-10mm

**Wall support, silver coloured,
anodized with plastic clamping screws**

Item No. 01.009 3-5mm
Item No. 01.109 5-8mm
Item No. 01.209 8-10mm

Item No.	for panel thickness (mm)	Material	Surface	Traction
00.009	3 - 5	Aluminium	silver coloured, anodized E6/EV1	~ 20 kg
01.009	3 - 5	Aluminium	silver coloured, anodized E6/EV1	~ 10 kg
00.109	5 - 8	Aluminium	silver coloured, anodized E6/EV1	~ 20 kg
01.109	5 - 8	Aluminium	silver coloured, anodized E6/EV1	~ 10 kg
00.209	8 - 10	Aluminium	silver coloured, anodized E6/EV1	~ 20 kg
01.209	8 - 10	Aluminium	silver coloured, anodized E6/EV1	~ 10 kg