

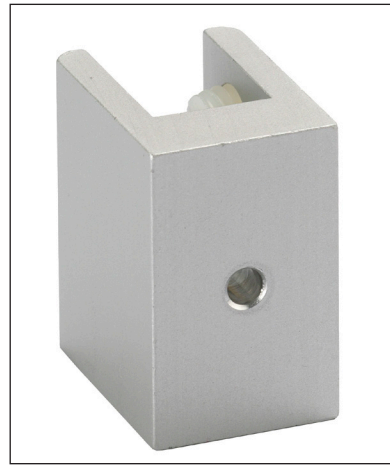
# Technical information



Wall support silver coloured,  
anodized with steel clamping screws

Item No. 00.309 10-13mm  
Item No. 00.409 13-16mm

Weight: 0,085 kg  
Traction: 30 kg

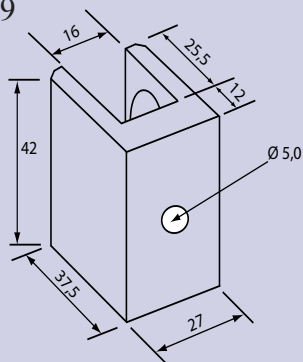


Wall support silver coloured,  
anodized with plastic clamping screws

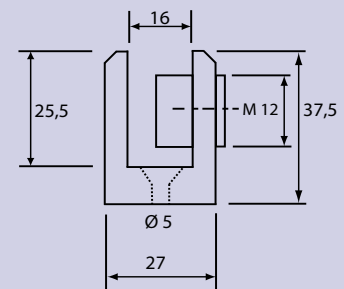
Item No. 01.309 10-13mm  
Item No. 01.409 13-16mm

Weight: 0,085 kg  
Traction: 20 kg

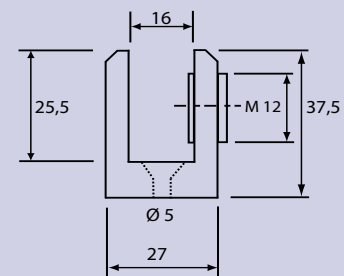
00.309 + 01.309  
00.409 + 01.409



00.309 + 01.309



00.409 + 01.409



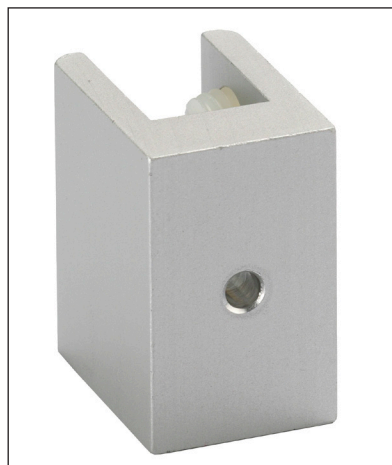
# Technical information



**Wall support silver coloured,  
anodized with steel clamping screws**

**Item No. 00.309 10-13mm**

**Item No. 00.409 13-16mm**



**Wall support silver coloured,  
anodized with plastic clamping screws**

**Item No. 01.309 10-13mm**

**Item No. 01.409 13-16mm**

| Item No. | for panel thickness<br>( mm ) | Material  | Surface                             | Traction |
|----------|-------------------------------|-----------|-------------------------------------|----------|
| 00.309   | 10 - 13                       | Aluminium | silver coloured,<br>anodized E6/EV1 | ~ 30 kg  |
| 01.309   | 10 - 13                       | Aluminium | silver coloured,<br>anodized E6/EV1 | ~ 20 kg  |
| 00.409   | 13 - 16                       | Aluminium | silver coloured,<br>anodized E6/EV1 | ~ 30 kg  |
| 01.409   | 13 - 16                       | Aluminium | silver coloured,<br>anodized E6/EV1 | ~ 20 kg  |