

Technical information



**Cross connector, silver coloured,
anodized with steel clamping screws**

Item No. 20.005 3-5mm

Item No. 20.105 5-8mm

Weight: 0,075 kg

Traction: 20 kg



**Cross connector, silver coloured,
anodized with plastic clamping screws**

Item No. 21.005 3-5mm

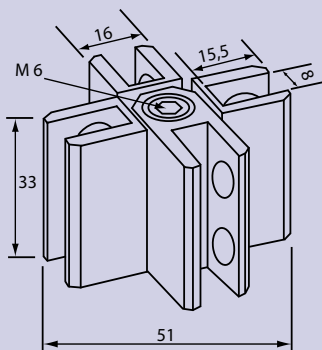
Item No. 21.105 5-8mm

Weight: 0,075 kg

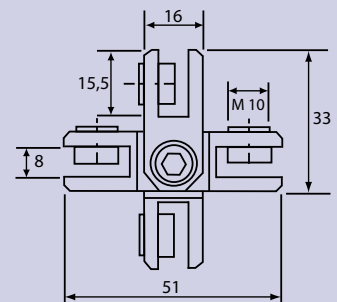
Traction: 10 kg

20.005 + 21.005

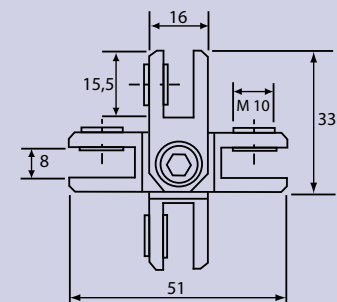
20.105 + 21.105



20.005 + 21.005



20.105 + 21.105



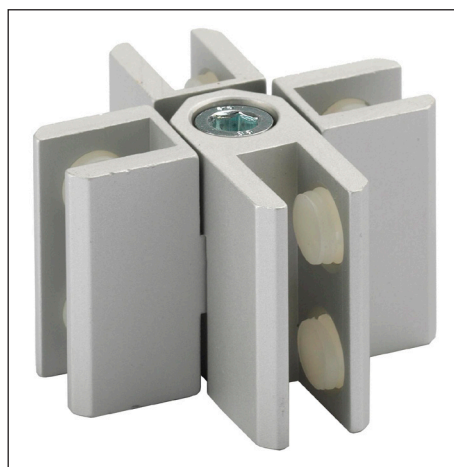
Technical information



**Cross connector, silver coloured,
anodized with steel clamping screws**

Item No. 20.005 3-5mm

Item No. 20.105 5-8mm



**Cross connector, silver coloured,
anodized with plastic clamping screws**

Item No. 21.005 3-5mm

Item No. 21.105 5-8mm

Item No.	for panel thickness (mm)	Material	Surface	Traction
20.005	3 - 5	Aluminium	silver coloured, anodized E6/EV1	~ 20 kg
21.005	3 - 5	Aluminium	silver coloured, anodized E6/EV1	~ 10 kg
20.105	5 - 8	Aluminium	silver coloured, anodized E6/EV1	~ 20 kg
21.105	5 - 8	Aluminium	silver coloured, anodized E6/EV1	~ 10 kg