

Technical information



Three way connector moveable,
silver coloured, anodized
with steel clamping screws

Item No. 20.006 3-5mm

Item No. 20.106 5-8mm

Weight: 0,065 kg

Traction: 20 kg



Three way connector moveable,
silver coloured, anodized
with steel clamping screws

Item No. 21.006 3-5mm

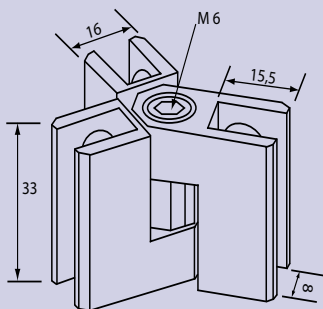
Item No. 21.106 5-8mm

Weight: 0,065 kg

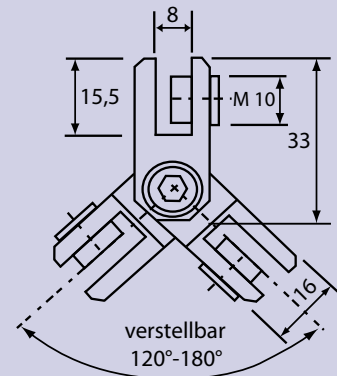
Traction: 10 kg

20.006 + 21.006

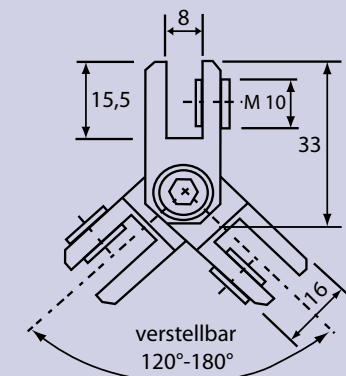
20.106 + 21.106



20.006 + 21.006



20.106 + 21.106



Technical information



**Three way connector moveable,
silver coloured, anodized
with steel clamping screws**

Item No. 20.006 3-5mm

Item No. 20.106 5-8mm



**Three way connector moveable,
silver coloured, anodized
with steel clamping screws**

Item No. 21.006 3-5mm

Item No. 21.106 5-8mm

Item No.	for panel thickness (mm)	Material	Surface	Traction
20.006	3 - 5	Aluminium	silver coloured, anodized E6/EV1	~ 20 kg
21.006	3 - 5	Aluminium	silver coloured, anodized E6/EV1	~ 10 kg
20.106	5 - 8	Aluminium	silver coloured, anodized E6/EV1	~ 20 kg
21.106	5 - 8	Aluminium	silver coloured, anodized E6/EV1	~ 10 kg