

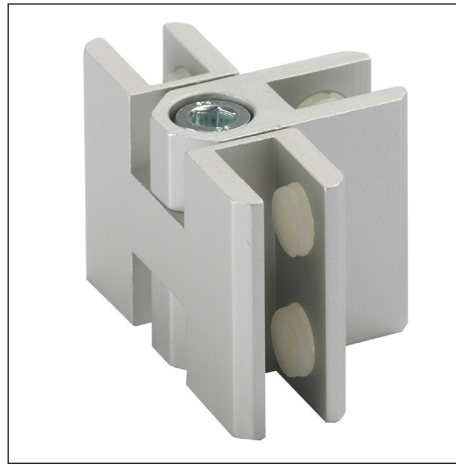
Technical information



**Three way connector fixed,
silver coloured, anodized
with steel clamping screws**

Item No. 20.008 3-5mm
Item No. 20.108 5-8mm

Weight: 0,075 kg
Traction: 20 kg

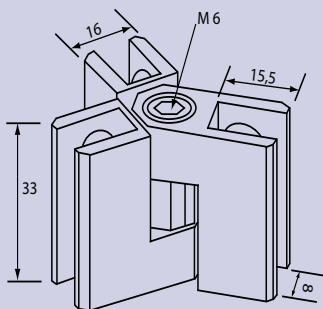


**Three way connector fixed,
silver coloured, anodized
with steel clamping screws**

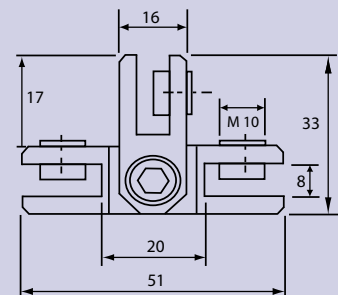
Item No. 21.008 3-5mm
Item No. 21.108 5-8mm

Weight: 0,075 kg
Traction: 10 kg

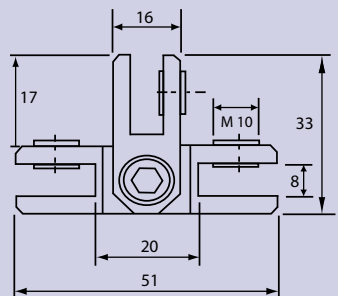
20.008 + 21.008
20.108 + 21.108



20.008 + 21.008



20.108 + 21.108



Technical information



**Three way connector fixed,
silver coloured, anodized
with steel clamping screws**

Item No. 20.008 3-5mm

Item No. 20.108 5-8mm



**Three way connector fixed,
silver coloured, anodized
with steel clamping screws**

Item No. 21.008 3-5mm

Item No. 21.108 5-8mm

Item No.	for panel thickness (mm)	Material	Surface	Traction
20.008	3 - 5	Aluminium	silver coloured, anodized E6/EV1	~ 20 kg
21.008	3 - 5	Aluminium	silver coloured, anodized E6/EV1	~ 10 kg
20.108	5 - 8	Aluminium	silver coloured, anodized E6/EV1	~ 20 kg
21.108	5 - 8	Aluminium	silver coloured, anodized E6/EV1	~ 10 kg