

Technical information



**Angle connector, silver coloured,
anodized
with steel clamping screws**

**Item No. 20.301 10-13mm
Item No. 20.401 13-16mm**

**Weight: 0,185 kg
Traction: 30 kg**

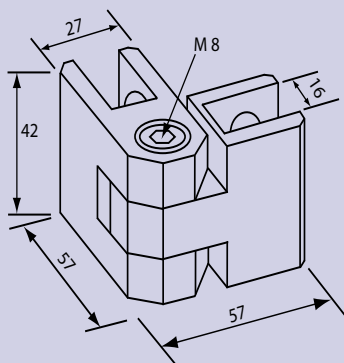


**Angle connector, silver coloured,
anodized
with steel clamping screws**

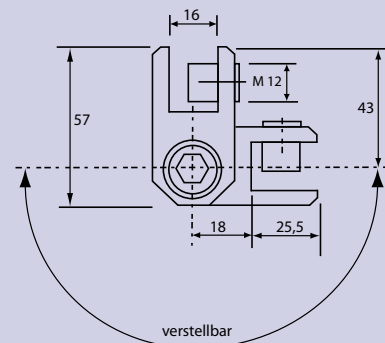
**Item No. 21.301 10-13mm
Item No. 21.401 13-16mm**

**Weight: 0,185 kg
Traction: 20 kg**

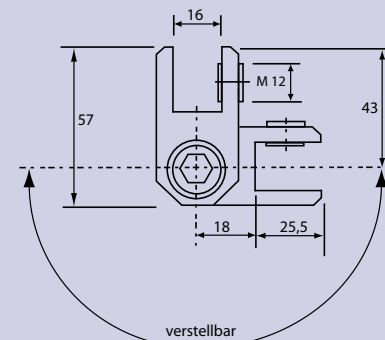
20.301 + 21.301
20.401 + 21.401



20.301 + 21.301



20.401 + 21.401



Technical information



**Angle connector, silver coloured,
anodized
with steel clamping screws**

Item No. 20.301 10-13mm
Item No. 20.401 13-16mm



**Angle connector, silver coloured,
anodized
with steel clamping screws**

Item No. 21.301 10-13mm
Item No. 21.401 13-16mm

| Item No. | for panel thickness (mm) | Material | Surface | Traction |
|----------|-------------------------------|-----------|-------------------------------------|----------|
| 20.301 | 10-13 | Aluminium | silver coloured, anodized E6/EV1 | ~ 30 kg |
| 21.301 | 10-13 | Aluminium | silver coloured, anodized E6/EV1 | ~ 20 kg |
| 20.401 | 13-16 | Aluminium | silver coloured, anodized E6/EV1 | ~ 30 kg |
| 21.401 | 13-16 | Aluminium | silver coloured, anodized E6/EV1 | ~ 20 kg |