

Technical information



**Multifunction connector,
silver coloured, anodized
with steel clamping screws**

Item No. 20.307 10-13mm
Item No. 20.407 13-16mm

Weight: 0,285 kg
Traction: 30 kg

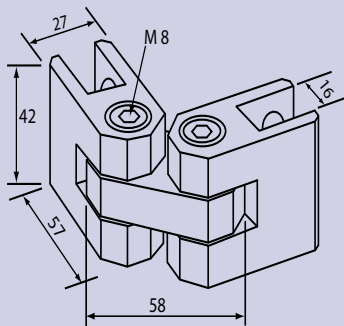


**Multifunction connector
silver coloured, anodized
with steel clamping screws**

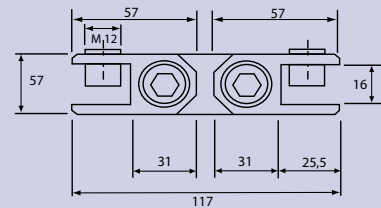
Item No. 21.307 10-13mm
Item No. 21.407 13-16mm

Weight: 0,285 kg
Traction: 20 kg

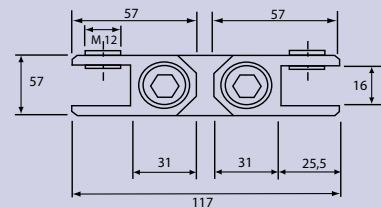
20.307 + 21.307
20.407 + 21.407



20.307 + 21.307



20.407 + 21.407



Technical information



**Multifunction connector,
silver coloured, anodized
with steel clamping screws**

Item No. 20.307 10-13mm

Item No. 20.407 13-16mm



**Multifunction connector
silver coloured, anodized
with steel clamping screws**

Item No. 21.307 10-13mm

Item No. 21.407 13-16mm

| Item No. | for panel thickness (mm) | Material | Surface | Traction |
|----------|-------------------------------|-----------|-------------------------------------|----------|
| 20.307 | 10-13 | Aluminium | silver coloured, anodized E6/EV1 | ~ 30 kg |
| 21.307 | 10-13 | Aluminium | silver coloured, anodized E6/EV1 | ~ 20 kg |
| 20.407 | 13-16 | Aluminium | silver coloured, anodized E6/EV1 | ~ 30 kg |
| 21.407 | 13-16 | Aluminium | silver coloured, anodized E6/EV1 | ~ 20 kg |